

To make the sound more clear, more energetic, and richer, especially for the low range.

Real Sound Processor for Bass

## RSP-W1EX

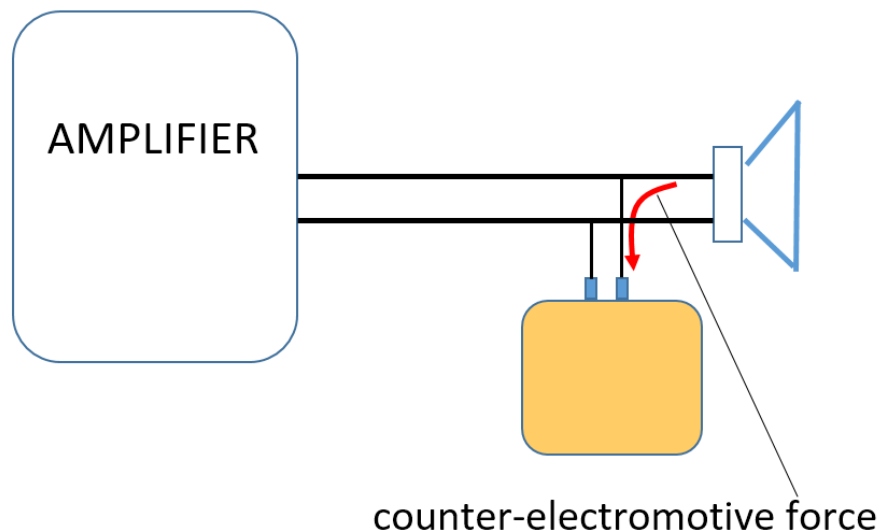
(2 units/set)



The Real Sound Processor is an audio accessory for better sound quality by absorption of back electromotive force, and the correction of impedance fluctuations, that are detrimental to sound quality between the amplifier and speakers.

### Principle

The RSP-W1 passes the current due to the counter-electromotive force. This current, if we express it directly, acts like as a “short brake” in the motor. It brakes unwanted vibrations of woofer, resulting in agile its movement. The RSP-W1 is set to pass low-frequency signals, so it achieves ideal woofer movement.

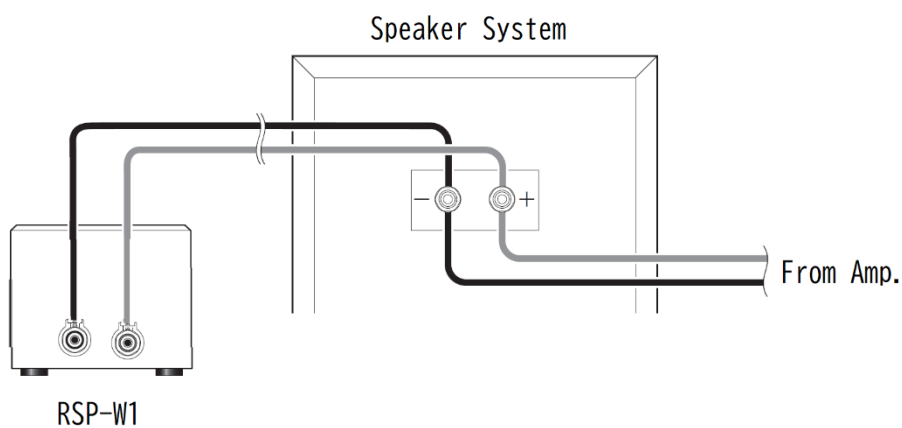


# 1500V (1.5kV) DC Metallized Film Capacitor

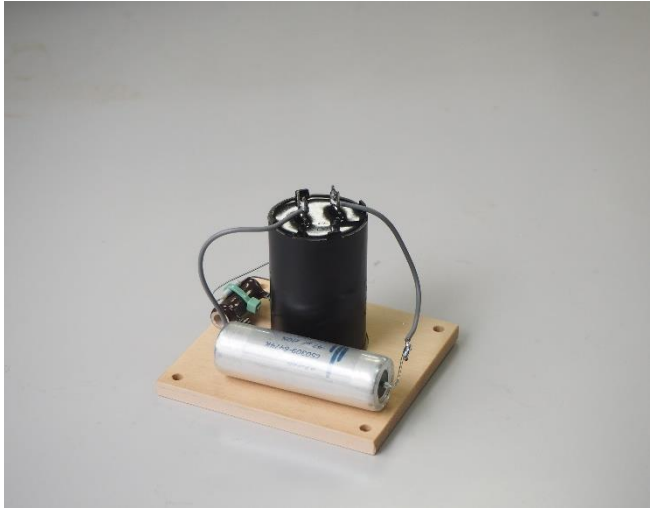


Robust capacitor with a withstand voltage of 1500V plays powerful bass.

## Connection



## Hybrid structure of spruce and walnut



Parts placed directly on the spruce pedestal



Pedestal unit housed in a walnut case

Audio quality parts are placed in contact with the spruce pedestal directly. They vibrate together with the music signal to bring out rich bass. They are connected by aerial wiring and housed in a walnut wood outer box. The RSP-W1EX has an attractive bass due to the hybrid structure of spruce and walnut. The hybrid structure using spruce material is based on the same idea as our amplifier. It is the idea that Real Sound Processor is also a musical instrument.

## Specifications

Impedance of the speaker 10 Ohm or less is desirable.

External Dimensions Width 100 mm / Height 85 mm / Depth 117 mm